



Information about AIRSYSTEM



Large illustration: Mechanical ventilation system type AIRSTAR with manually adjustable ventilation grille.



Displacement diffuser



Textile channel



Roof-mounted suction hood

AIRSYSTEM

AIRSYSTEM is a duct system for mechanical ventilation and heating. It is made up of various modules to transport the air. A distinction is made between an air intake system, which transports fresh air to the workplace, and an air extraction system, which sucks stale air out of the workplace. Whilst the air intake system offers the option to warm the intake air, the air extraction system is used to extract toxic vapours from a welding station for example.

A choice of heat exchangers (cross-flow heat exchangers or rotary heat exchangers) is available for heat recovery depending on the requirements.

DIGOVENT:

The AIRSYSTEM can be configured in two different ways. Whilst the ISOVENT combines a mixed-air unit, a fan, a filter and possibly an air-heater battery, all of these functions can be achieved decentrally using individual modules. The DIGOVENT ventilator module used in this case fulfils only the ventilator function, and with a capacity of 2,000 to 9,000 m³/h has a considerably lower airflow rate than the ISOVENT.

DIGOVENT model	06						07					
Air capacity m ³ /h*1000	2	3	4	5	6	7	4	5	6	7	8	9
Channel cross section (mm)	600 x 600						700 x 700					

Further modules:

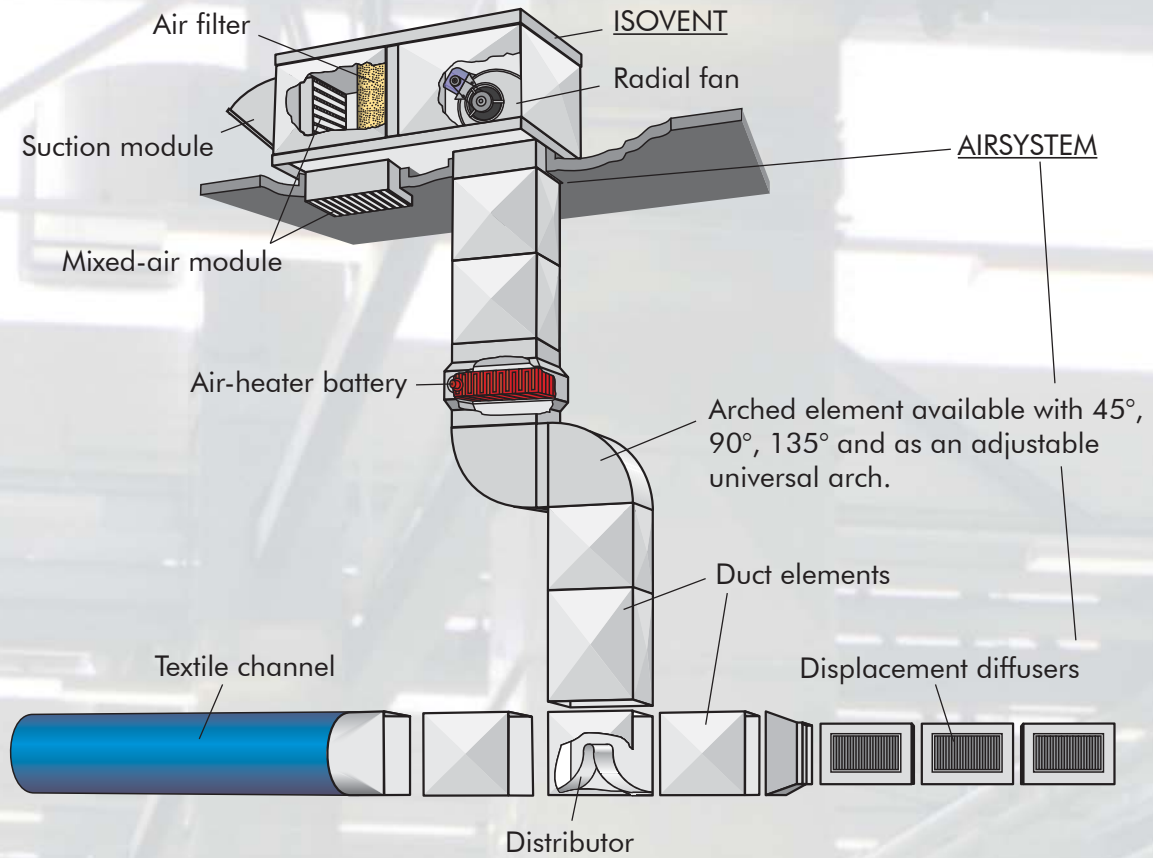
In addition to simple straight or arched duct elements, there are a large number of other functional modules, which can also be integrated as individual modules in the duct system of smaller plants. These include a roof- or wall-mounted suction hood, a mixed-air unit, an air-heater battery and a filter module. In heat-recovery systems a heat exchanger is integrated in the system.

Air outlet:

Depending on the requirements, there are three different air-outlet versions available: manually adjustable ventilation grilles, displacement diffusers or textile channels. In areas where drafts caused by the system are not a problem, or where air is only extracted, normal ventilation grilles are sufficient. These are available in a single-row louvre design for adjustable vertical air deflection, or in a double-row louvre design for adjustable horizontal and vertical air deflection. In contrast, displacement diffusers alter the airflow's characteristics so that it is no longer perceived as a draft. Textile channels have a similar effect in that the air flows through an air-permeable fabric and is thus uniformly distributed in the surrounding area.

AIRSYSTEM

Example of a roof-mounted ISOVENT with a flanged-on AIRSYSTEM:



Example of a DIGOVENT with the AIRSYSTEM duct system:

